

Handset Intercom

STATION

90 YAZ-90-3W

Phone extension



YAZ-90-3W
Phone master station

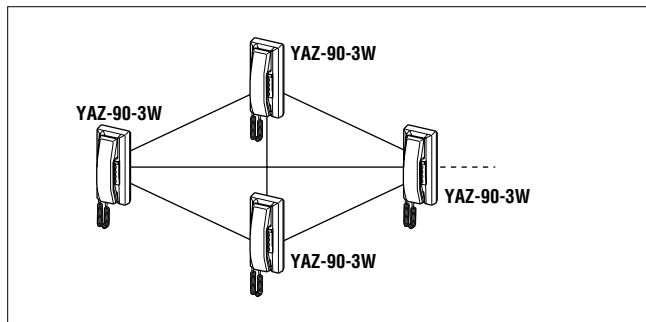
Power supply

- PS-2420S PS-2420UL
- PS-2420BF PS-2420DM
- PS-2420-O → P.137

Features

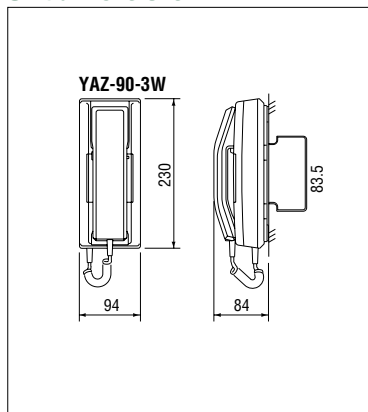
- Microprocessor based intercom expandable to max. 90 stations on 4-pair cable
- Up to 2.9km wiring distance
- Communication functions: Camp-on busy, secretary transfer, call transfer
- Line-off trouble on one channel does not affect the other channels

Communication network

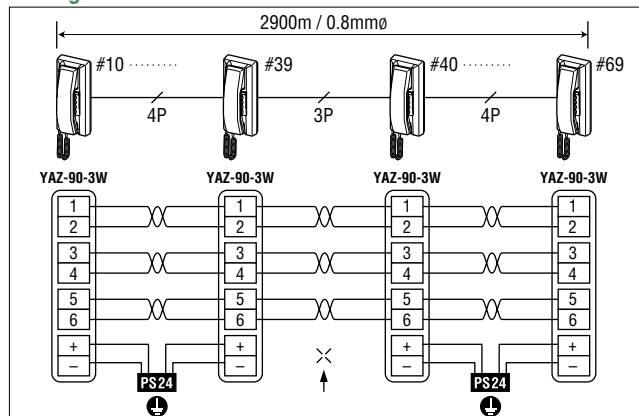


Station to station communication in any pair

Unit dimensions



Wiring



- Remove +, - wires between YAZ stations of different blocks. Within a block locate a power supply in the center of cable run, and make groups of max. 10 YAZ stations. As shown, connect +, - wires from the power supply to each group's initial YAZ station.

PS24 : PS-2420S, PS-2420UL, PS-2420BF, PS-2420DM, PS-2420-O

Specifications (YAZ-90-3W)

Power source	24V DC, 150mA max. 20mA standby.
Power supply	PS-2420S, PS-2420UL, PS-2420BF, PS-2420DM, PS-2420-O per 30-station block.
Communication	Dial 2-digit station # to ring other station with tone or voice pressing PAGE. Privacy communication on each channel (max. 3).
Line loop resistance	Must not exceed 200Ω for farthest stations. 20Ω for power line.
Wiring	4-twisted pairs (shielded) in loop.
Total wiring distance	Farthest YAZ's 1900m(0.65mmØ), 2900m(0.8mmØ)

LE

DB

AT

YAZ

TD

IMU

TC

MC

NIM

NHX